

榮獲ATEX 檢定認可的危險區域電話

ATEX Approved Hazardous Area Telephone



- 認可包括:  II 2 G ATEX certified telephone
-  (R&TTE Directive 1999/5/EC and ATEX Product Directive 94/9/EC)
- 完全符合 I-CTR 37 / CTR 38 要求
- 備有全鍵盤連3個可編程式記憶鍵；與及CB型熱線式以供選擇
- 備以免提裝置，以供選購
- 高音效鈴聲，能達90分貝 (鈴聲音效可調教的)
- 外置訊號燈 / 蜂鳴器驅動輸出
- 堅固耐用、防水性能達IP66
- 工業型堅固話筒連接線 (可選工業標準型或不銹鋼保護型的話筒連接線)
- 雙重靈活設計，可掛牆或坐枱安裝
-  II 2 G ATEX certified telephone
-  (R&TTE Directive 1999/5/EC and ATEX Product Directive 94/9/EC)
- Fully compliant with I-CTR 37 / CTR 38
- Full keypad with 3 programmable memory buttons, and CB telephone variants
- Headset Option
- 90dB sounder (adjustable)
- Secondary beacon / external sounder actuator
- Robust and weather resistant
- Industry standard robust handset c/w curly cord or armoured stainless steel
- Dual purpose design for wall or desk mounting, simple installation

The Auteldac 4 (A4) telephone has secured ATEX approval to provide a tough, weather resistant unit built to withstand arduous industrial atmospheres and environmental extremes.

Certified for safe operation in hazardous areas, the Auteldac 4 body is made from carbon loaded glass filled polyester to eliminate rust and corrosion. The handset has a choice of armoured stainless steel or curly cord.

The elimination of moving parts maintains a high level of reliability to industrial and weather resistant telephones.

Features such as 'electronic on-hook sensing' and 'electronic tone ringer' enable an enclosure protection up to IP66. Should the handset be left off-hook, the A4 will automatically revert to on-hook state after a period of 6-8 minutes (this option can be disabled).

Auteldac 4 telephones come complete with an integral ringer with volume control and secondary beacon / external sounder actuator as standard. An inductive coupler is fitted to aid the hard of hearing.

For hands-free telephone use, the Auteldac 4 has the option of a headset.

Auteldac 4 Models

Options are full 18 button keypad, or zero for the CB (central battery) version.

Keypad Diallers:

Included in the 18 button version, are 3 memory buttons for fast one-touch dialling of pre-stored numbers or accessing low-cost call facilities

M1- M3	Memory buttons
'R'	'Recall',
'LR'	'Last number redial'
'S'	Store

These models are configurable to be compatible with most PABX, PBX and PAX systems. Loop disconnect (LD) and Tone dialling (DTMF) systems are internally selectable, as are a choice of recall systems, Time Break Recall (TBR) and Earth Loop Recall (ELR).

CB(Central Battery) Telephone:

This can be used as a 'hotline' or lift handset and wait for reply, where the exchange does the call routing / dialling.



TECHNICAL SPECIFICATIONS

(please refer to technical manual for full product details)

技術規格

(請參閱技術手冊，內有此產品之詳細序述)

Enclosure (機身材料):

Carbon loaded glass-filled polyester (colour: black)

Surface resistance: <109 ohms

Handset (話筒):

Conductively coated polycarbonate handset with coiled cord or stainless steel spiral cord

Keypad (按鍵鍵盤):

Weathersealed tactile digital keypad

Hookswitch (通話感應器):

Electronic with no mechanical moving parts

Degree of protection (防水效能): Up to IP66

Ringing (鈴聲音效): Shrill warble tone >90 dBA @ 1 metre typical

Power Supply (電源): Drawn from telephone line

Integral Ring Detector (內置響鈴感應輸出):

Contact closure following the ringing cadence

- Max. switching voltage: 240Vac rms

- Max. switching current: 5A

Certified Operating Temperature (工作溫度):

-20° C to +50° C

Time Out (響鈴時間):

Enforces a fixed call maximum time limit to 6-8 minutes from lifting of the handset. This facility can also be disabled

Dialling system (適用的電話系統):

LD and DTMF (switchable)

Dialling Data (撥出數據):

- LD Impulse rate : 10 pps

- LD Mark/space ratio : 2:1 or 3:2

- Dialling tones meet international standard requirements - ITU Q23

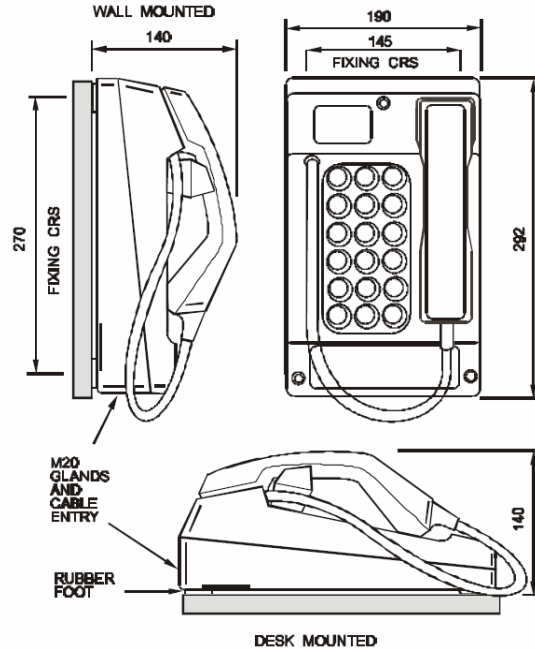
Recall Button (回撥按鍵):

Internally switchable from Earth Loop Recall (600ms pulse) and Timed Break Recall 98ms, 250ms or 604ms.

Relative Humidity (相對濕度): Up to 95% (non-condensing)

Weight (重量): approx. 3.1 kg

DIMENSIONS (尺寸)



ORDER CODE (訂購編號)

Auteldac 4 Curly Cord (工業標準型電話連接線)

18btn	(18 個按鍵)	212-02-2008-920TC
CB	(0 個按鍵)	212-02-2000-920TC
18btn + h/set	(18 個按鍵+免提裝置)	212-02-2008-020TC
18btn + Ex Cable Gland	(18 個按鍵+防爆接線頭)	312-02-2008-021-TC-CG

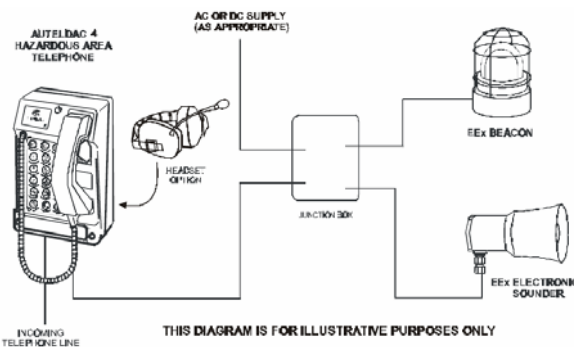
Auteldac 4 Stainless Steel Cord

(鋼甲保護型電話連接線)

18btn	(18 個按鍵)	212-02-2008-919TC
CB	(0 個按鍵)	212-02-2000-919TC
18btn + h/set	(18 個按鍵+免提裝置)	212-02-2008-019TC

CONNECTION OPTIONS

(額外配件接駁方法)

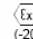


APPROVALS

(合格證明)

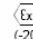
(電話榮獲的證明)

Telephone compliance

 II 2 G EEx e mb IIC T5 (-20°C ≤ T_a ≤ 50°C) Baseefa03ATEX0617

(免提裝置的證明)

Headset compliance

 II 2 G EEx ib IIC T4 (-20°C ≤ T_a ≤ 40°C) TUV03ATEX2124



This mark indicates compliance with the following directives:

R&TTE Directive 1999/5/EC ATEX Product Directive 94/9/EC Tested to I-CTR37 & CTR38



The GAI-Tronics Limited Quality Management System has been approved by LRQA to ISO9001-2000. Certificate No. 861888

